

EVERLAST® MEDIUM DUTY

Commercial Electric Water Heaters



Features

- **DURABLE STEEL ENCLOSURE** – hinged cover provides easy access to internal fuses and wiring.
- **TERMINAL BLOCK** – allows for easy phase or operational conversions. Can be changed from single phase to 3-phase power and/or simultaneous operation to non-simultaneous.
- **INTERNALLY FUSED** – easily serviceable and added protection.
- **VERSATILE CONFIGURATIONS** – multiple heating element kits for fast and easy input configuration conversions.
- **STAINLESS STEEL** tank constructed of high-quality, lightweight stainless steel making it easier to handle than glass-lined water heaters.
- **TITANIUM HEATING ELEMENTS** 3 low-wattage density elements to ensure more efficient operation and longer element life.
- **FULLY AUTOMATIC SURFACE MOUNTED HIGH TEMPERATURE THERMOSTATS** adjustable up to 181°F, combined with a automatic energy cut-off to prevent overheating.
- **TEMPERATURE AND PRESSURE RELIEF VALVE** – Factory installed.
- **DURABLE BRASS DRAIN VALVE** – Factory installed for fast and easy draining.

Performance

- 208, 240, 277, AND 480 VOLTS
- 13,500 TO 18,000-WATT INPUT
- ENVIRONMENTALLY SAFE NON-CFC FOAM 2+ INCHES OF SUPER FOAM INSULATION FOR LOW STANDBY LOSS
- NSF 5 CERTIFIED
- AHRI CERTIFIED AND LISTED
- NAECA III COMPLIANT

Quality

- 316L STAINLESS STEEL TANK
- NO ANODE ROD NEEDED
- LIMITED 10 YEAR TANK WARRANTY* / 1 YEAR COMPONENTS*



Globally Recognized. Industry Respected.

*With online registration. See product warranty for details.



SCAN HERE!

For more info about the
EVERLAST® MEDIUM DUTY

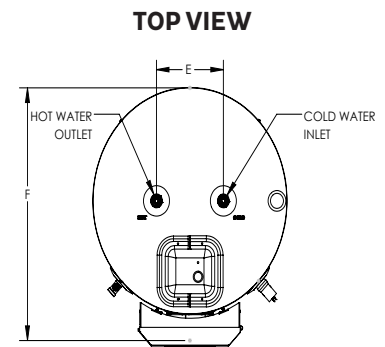


SPECIFICATIONS AND APPLICATION DATA

MODELS	NOMINAL CAPACITY (GAL)	WATTAGE (W)	VOLTAGE (V)	# OF THERMOSTATS	# OF FUSES	# OF FUSE HOLDERS	MIN DELIVERY TEMP	MAX DELIVERY TEMP	HIGH TEMP. LIMIT	INLET/ OUTLET SIZE
EVC080C3W135	80	13,500	240	3	6	2	120 °F (48.8 °C)	181 °F (82.8 °C)	200 °F (93.3 °C)	¾" NPT
EVC080C3W165	80	16,500	240	3	6	2	120 °F (48.8 °C)	181 °F (82.8 °C)	200 °F (93.3 °C)	¾" NPT
EVC080E3W180	80	18,000	480	3	6	2	120 °F (48.8 °C)	181 °F (82.8 °C)	200 °F (93.3 °C)	¾" NPT
EVC100C3W135	100	13,500	240	3	6	2	120 °F (48.8 °C)	181 °F (82.8 °C)	200 °F (93.3 °C)	¾" NPT
EVC100C3W165	100	16,500	240	3	6	2	120 °F (48.8 °C)	181 °F (82.8 °C)	200 °F (93.3 °C)	¾" NPT
EVC100E3W180	100	18,000	480	3	6	2	120 °F (48.8 °C)	181 °F (82.8 °C)	200 °F (93.3 °C)	¾" NPT
EVC115C3W135	115	13,500	240	3	6	2	120 °F (48.8 °C)	181 °F (82.8 °C)	200 °F (93.3 °C)	¾" NPT
EVC115C3W165	115	16,500	240	3	6	2	120 °F (48.8 °C)	181 °F (82.8 °C)	200 °F (93.3 °C)	¾" NPT
EVC115E3W180	115	18,000	480	3	6	2	135 °F (57.2 °C)	181 °F (82.8 °C)	200 °F (93.3 °C)	¾" NPT

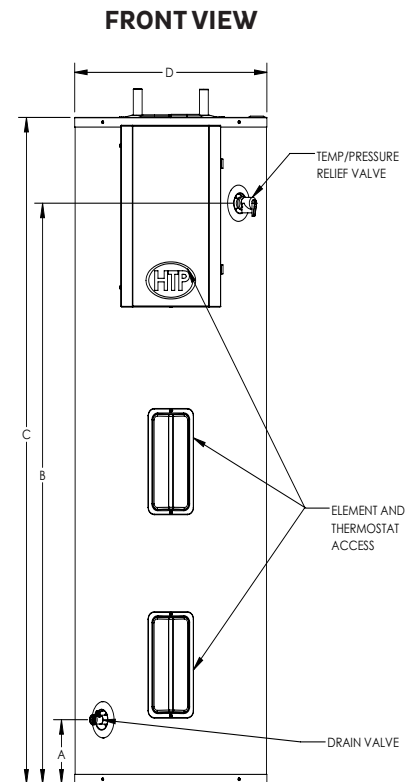
SPECIFICATIONS AND DIMENSIONS

MODELS	DRAIN HEIGHT (IN)	T&P HEIGHT (IN)	TOP OF HEATER (IN)	DIAMETER (IN)	WATER CONNECTIONS DISTANCE (IN)	PRODUCT DEPTH (IN)	SHIPPING WEIGHT (LBS)
	A	B	C	D	E	F	
EVC080C3W135	6 ½	60	69	23 ¼	8	26	165
EVC100C3W135	7 ¼	52	61	27	8	30	220
EVC115C3W135	7 ¼	60	69	27	8	30	240



Optional Element Kits (Sold Separately)

INPUT (WATTS)	208V	240V	277V	480V
12500	B3W125	NO	NO	NO
13500	B3W135	C3W135 (standard)	NO	E3W135
14000	NO	NO	D3W140	NO
15000	NO	C3W150	NO	E3W150
16000	NO	NO	NO	NO
16500	NO	C3W165 (standard)	NO	E3W165
18000	NO	NO	D3W180N (standard)	E3W180 (standard)



Full Load Current in Amperes

TOTAL INPUT (KW)	# OF ELEMENTS	SINGLE ELEMENT WATTAGE	208V PHASE		240V PHASE		277V PHASE		480V PHASE	
			1	3	1	3	1	3	1	3
12.5	3	4.2	60	35	-	-	-	-	-	-
13.5	3	4.5	65	38	57	33	-	-	29	17
14	3	4.7	-	-	-	-	51	30	-	-
15	3	5	-	-	63	36	-	-	32	18
16	3	5.3	-	-	-	-	-	-	-	-
16.5	3	5.5	-	-	69	40	-	-	35	20
18	3	6	-	-	-	-	65	38	38	22